

Notes:

---



---



---



---



---



---



---



---



---



---

Complete User Manual at: [RCACommunicationsSystems.com](http://RCACommunicationsSystems.com)



[www.rcacommunicationssystem.com](http://www.rcacommunicationssystem.com)  
[products@rcacommunicationssystem.com](mailto:products@rcacommunicationssystem.com)  
 (877) 822-2915

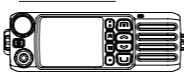
Created in U.S.A.

RCA and the RCA logo are trademarks used under license. For further information visit [www.rca-brand.com](http://www.rca-brand.com). All other trademarks are the property of their respective owners.  
 © 2022 RCA Communications Systems. All rights reserved.



## RDR5550 Mobile Digital Radio

**What's Included:**



**RDR5550**  
Mobile Radio



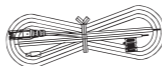
**MM5550HD**  
Mobile Mic



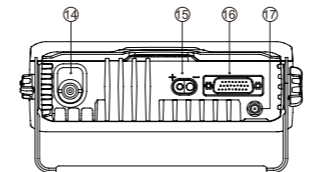
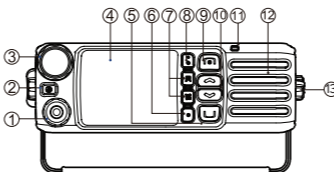
**HGRMM5550**  
Mic Hanger



**MB5550**  
Mobile Mounting Bracket



**PC5550**  
Mobile Power Supply Cable



**Product Overview:**

- 1 Microphone Connector
- 2 TK Key
- 3 Volume Control/Channel Selector Knob
- 4 LCD Display
- 5 P3/Called Key/Calling Key
- 6 Menu Key
- 7 P1,P2 Key
- 8 Setting Key
- 9 P4 Key/Hangup Key/Home Key
- 10 Up/Down Key
- 11 LED Indicator
- 12 Speaker
- 13 Bracket Knob
- 14 Antenna
- 15 Power Inlet
- 16 API Connector
- 17 GPS Antenna

Complete User Manual at: [RCACommunicationsSystems.com](http://RCACommunicationsSystems.com)

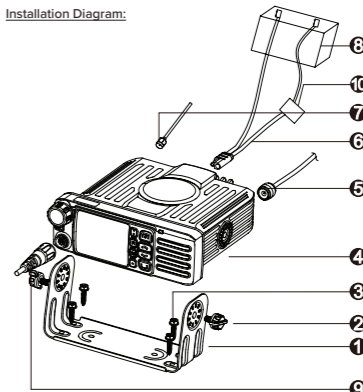
## QUICK START GUIDE

**Installation:**

Read the following precautions before installing the mobile terminal:

- The radio operates with cathode-grounded power supply of 13.6V ± 15% only. Please check polarity and voltage of the power supply on the vehicle before you install the radio.
- Please check how long the screws will extend from the bottom surface of the radio, before you install the radio. Drill the mounting hole cautiously to avoid damage to the vehicle wiring and other parts.
- Please connect RCA supplied antenna and power cord to the radio, before you install it in the bracket. And make sure the antenna and power cord is dedicated for RCA digital radios to prevent injuries to passengers.
- Set the mobile terminal in a location convenient on the front panel for easy operation.
- Please make sure there's sufficient space at the back of the radio for wiring.
- When the fuse for DC power cord needs replacement, it must be replaced by a fuse with the same specification.

**Installation Diagram:**



**Installation Tools:**

- Electric Drill
- Philips Head Screwdriver
- Hex Socket Sleeve

- 1 Bracket
- 2 Locking Knob
- 3 Screws
- 4 Radio
- 5 Antenna
- 6 Power Inlet
- 7 GPS Antenna
- 8 Power Box
- 9 Palm Microphone Jack
- 10 Fuse

- A. Install the bracket on both sides of the Radio with screws and lock knobs.
- B. Plug the palm microphone into radio assigned Palm Microphone Connector.
- C. Plug the antenna into the back of radio assigned connector.
- D. Plug the GPS antenna into the back of radio assigned connector.
- E. Plug the power cable into the Power Inlet.

**Basic Operations****Turning on/off radio**

Long press [Power On / Off / On-hook] button to turn on the radio. LCD displays power-up LOGO, and then enter the standby screen, and then long press [Power On/ Off/ On-hook] button to shutdown.

**Knob Switch Mode**

Short press the knob, to switch the two modes between volume and channel/ group.

**Operation Mode**

The mobile supports three operation Mode: DMR trunking mode, Prodigy Plus mode and Conventional mode (Digital and Analog). Switching as below:

Press the Setting Key to access "Function Setting" - "Mode Setting" and select the appropriate mode.

**Note:** To access Digital Conventional and Analog Conventional Mode to select Conventional Mode.

**Adjust the volume**

When the Volume Control / Channel Selector knob operates in volume adjustment mode, rotate the knob clockwise to increase the call volume, or counterclockwise to decrease volume.

**Selecting a Channel**

When the Volume Control/Channel Selector knob operates in channel selector mode, rotate the knob clockwise or counterclockwise to the wanted channel.

**Mode Switching**

Through Channel Selector knob. Each channel of the radio can be set as analog channel or digital channel by the dealer. The user can set them up through CPS software.

**Call****Individual Call****Initiate the Individual Call**

1. Input a individual call number you would like to call using the keypad microphone (optional) , or enter Contact through the radio menu to select the contact.
2. Hold down the [PTT] button on the handheld microphone to transmit a individual call to the selected contact.

**Receive and Call Back**

1. When the [PTT] button is idle, without any actions of buttons, the mobile radio could receive call.
2. You can hold down [PTT] button to call back after the calling party finishes talking.

**Group Call**

Talk group can be set by the dealer in advance and the operation methods are the same under DMO mode and TMO mode.

**Transmitting a Group Call**

Select the desired talk group through Channel Knob. Hold down [PTT] key to transmit a group call.

**Receiving and Replying to a Group Call**

You can receive the group call without any key operation. If reply is needed, please hold down [PTT] key after the speech of the other side and then speak to microphone.

**Care and Cleaning**

To guarantee optimal performance as well as a long service life of your radio, please follow the tips below.

**Radio Care**

Keep the radio far away from substances that can corrode the electronic circuit.

**Radio Cleaning**

Clean up the dust and fine particles on the radio surface with a clean and dry lint-free cloth or a brush regularly.

Use neutral cleanser and a non-woven fabric to clean the keys, control knobs and microphone after long-time use. Do not use chemical preparations such as stain removers, alcohol, sprays or oil preparations, so as to avoid surface case damage. Make sure that the radio is completely dry before use.

**NOTE:** Turn off the radio before cleaning.

**LCD Icon/Status Indication in Radio**

Icon Name	Icon	Radio Status
RSSI		More bars indicate better received signal strength
Message Icons		New Message Icon / Full Inbox Icon
Scan Icon		Indicates Scanning
Power Level Icons		Indicates High-Power transmission
		Indicates Medium-Power transmission
		Indicates Low-Power transmission
Accessory Connected Icon		Indicates Accessory is plugged in
Roam Icon		Roaming inactive / active
GPS Icon		GPS active
Missed Call Icon		Indicates missed call
Wireless PTT Connected Icon		Wireless PTT connected
Accessory Link Headset Connected Icon		Accessory Link headset connected
Wireless PTT and Accessory Link Headset Connected Icon		Wireless PTT and Accessory Link Headset Connected

**LED indicator**

LED Indication	Radio Status
LED flashes green slowly	Standby
LED flashes green rapidly	Upgrading or powering on
LED glows green	Receiving
LED glows red	Transmitting
LED flashes orange slowly	Scanning
LED glows orange	No voice is being transmitted or received on the traffic channel after a call is established. Within such period, you can hold down the PTT key to talk.